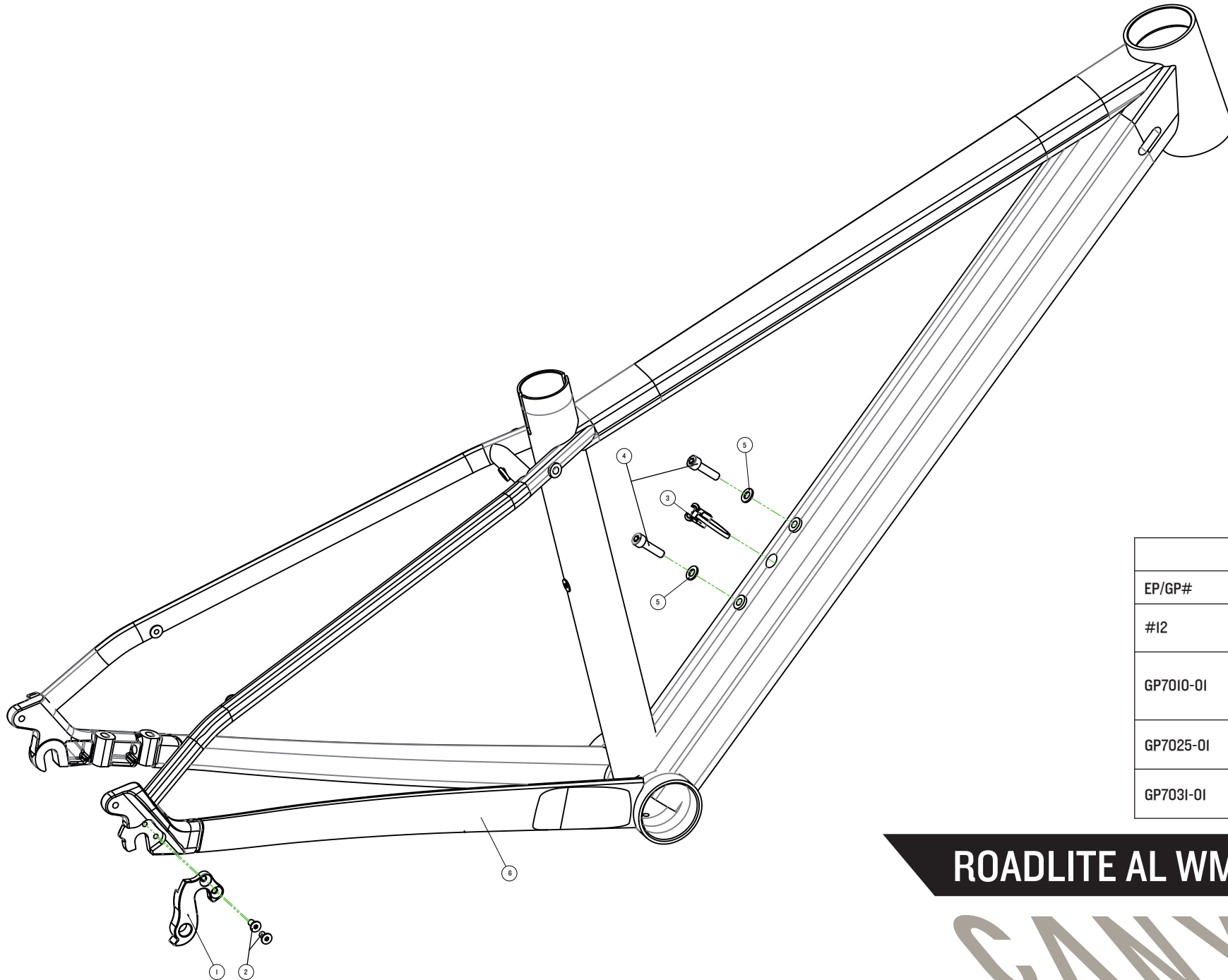


THIS TECHNICAL DOCUMENT, INCLUDING ANY PICTURES AND VIDEOS PROVIDED, IS COPYRIGHT-PROTECTED AND INTENDED SOLELY FOR USE IN YOUR OPERATION BY DULY AUTHORIZED PERSONNEL



After market products			
EP/GP#	POS.NR.	QTY.	CANYON#
#12	1, 2	1x 2x	148707
GP7010-01	3 (E389-16), E287-15, EP0811-01	1x 2x 1x	10007008
GP7025-01	4	4x	10007137
GP7031-01	6	1x	10007143

ROADLITE AL WMN | R093-01

CANYON

REVISION 00 | 09.06.2021